

EVARILOS

TKN @ IFA 2013

EVARILOS Project

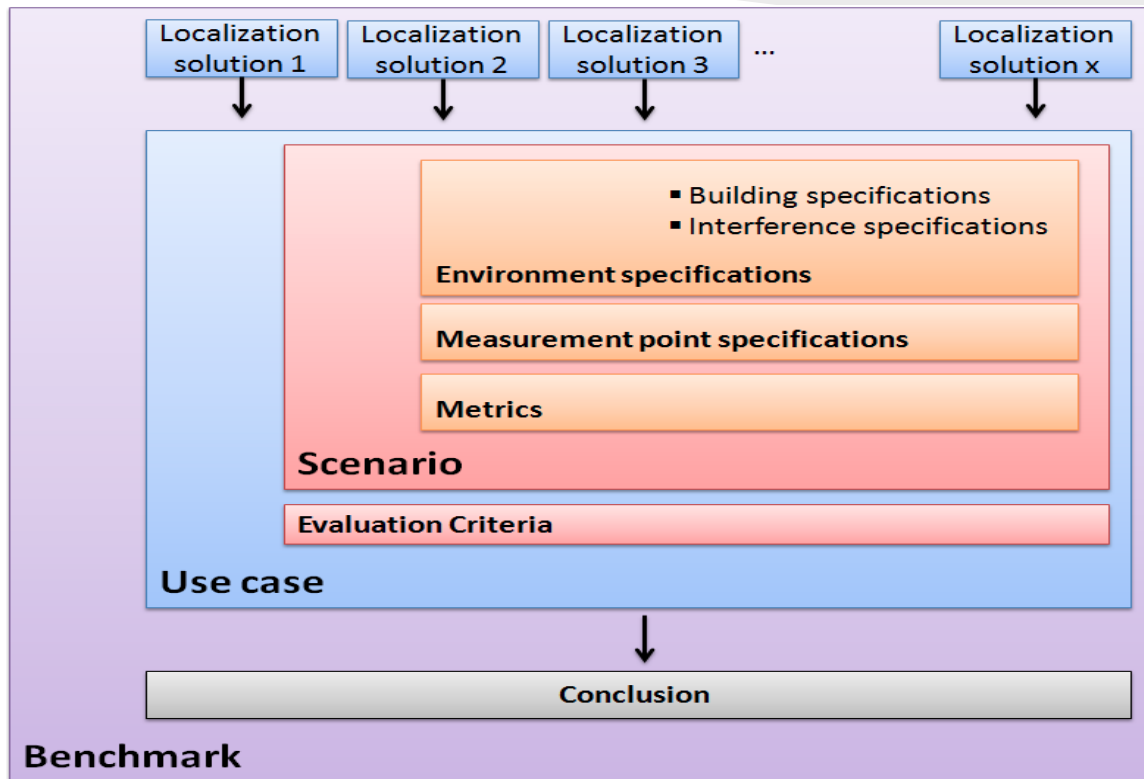
www.evarilos.eu

- **Evaluation of RF-based Indoor Localization Solutions for the Future Internet**
- Duration: 2012/11/01 - 2014/12/31
- Funding: European Commission FP7, FIRE experimentation
- Consortium
 - TU Berlin (coordinator)
 - Advantic
 - iMinds
 - SICS
 - Televic

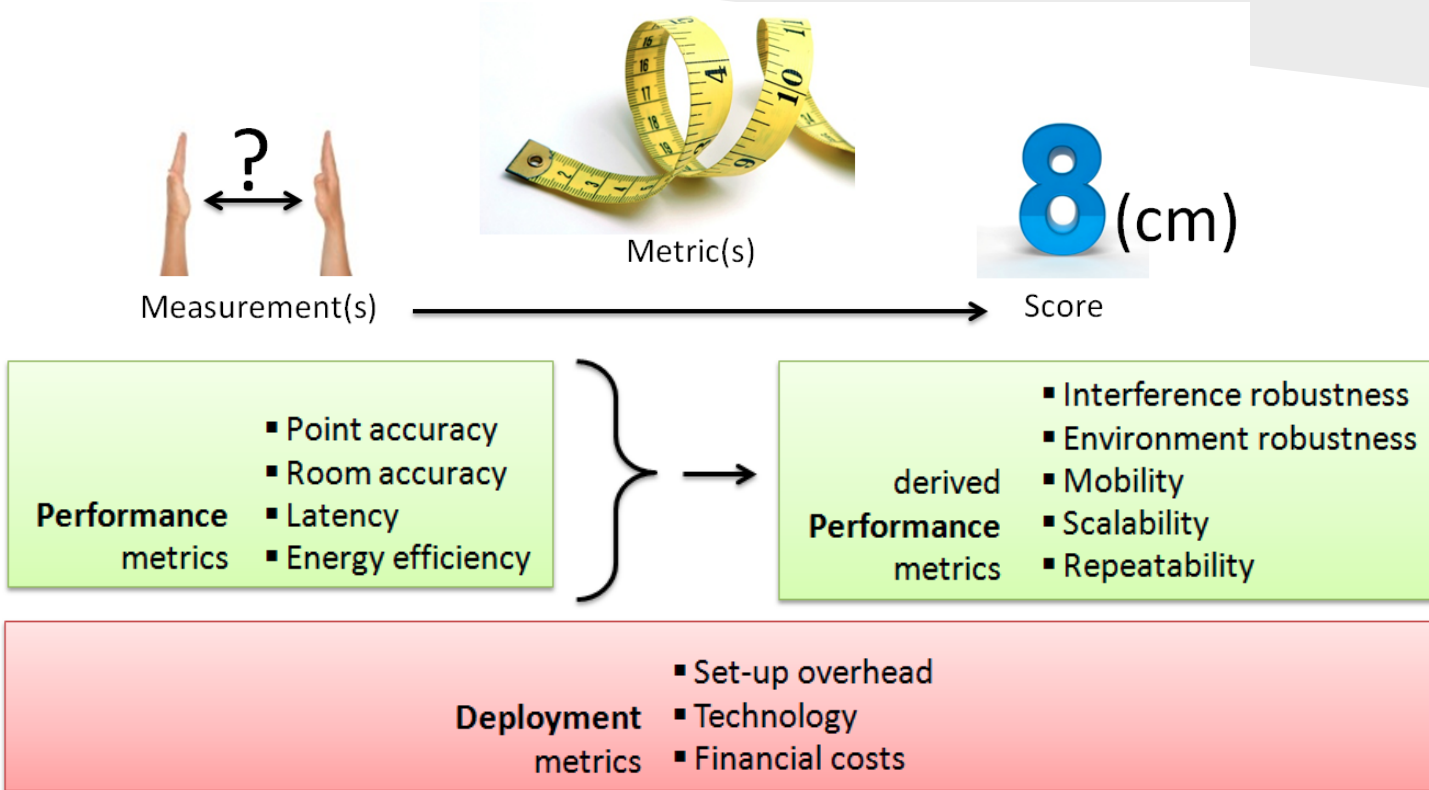
Objectives

- Development of benchmarking methodology and platform enabling objective evaluation and comparison of different RF-based indoor localization solutions
- Use of functional and non-functional metrics, with particular emphasis on interference robustness
- Validation in large-scale indoor testbeds, healthcare and mining scenarios
- Open Challenge – Localization Competition

Benchmarking



Metrics and Scores



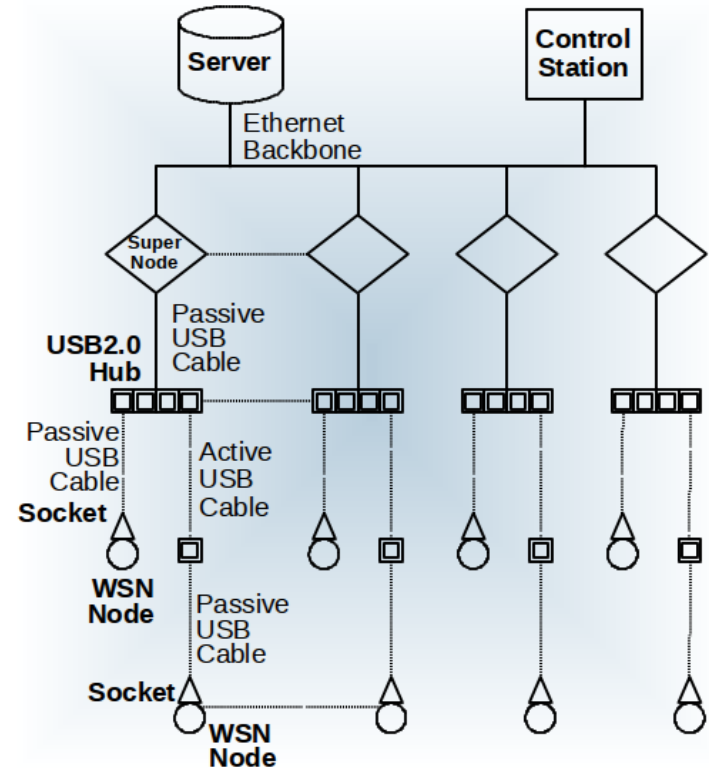
Open Challenge

- Open localization competition to validate the EVARILOS methodology and remote benchmarking platform
- Aligned with the upcoming ISO/IEC 18305 standard “Test and evaluation of localization and tracking systems”
- Time schedule
 - Announcement: November 2013
 - Team application: March 2014
 - Start of experiments: May 2014
 - Final results: September 2014

TWIST Testbed

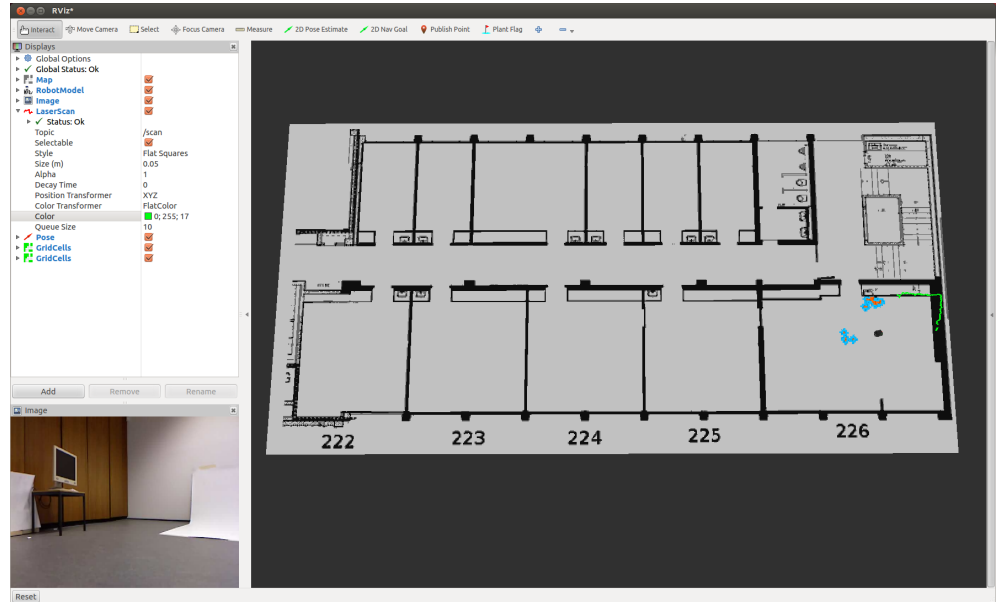
www.twist.tu-berlin.de

- 3 floors of the TKN building, 1500 m² instrumented space
- 204 Sensor Nodes
 - 102 TmoteSky
 - 102 EyesIFX
- Extensions
 - Robotic mobility
 - Building automation
 - Cloud services integration



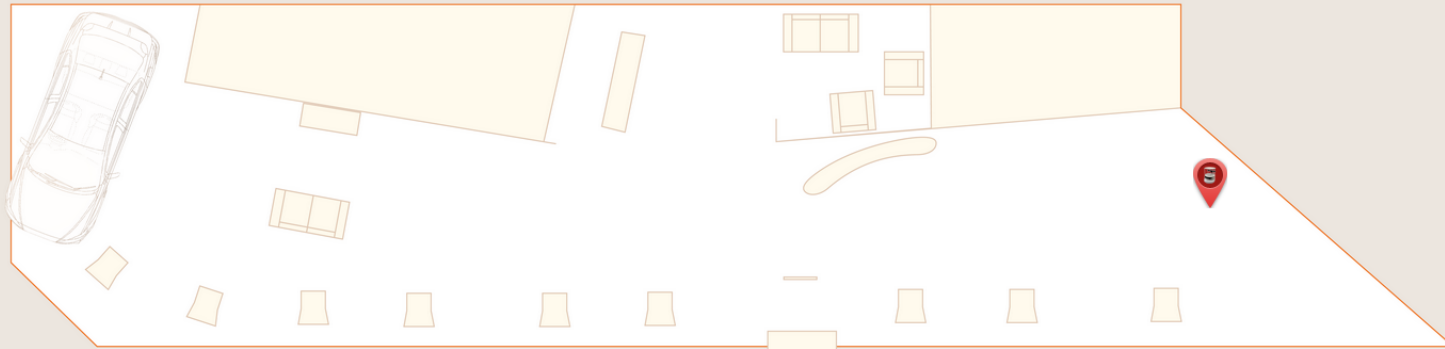
TWISTbot

- Robotic mobility platform with self-localization and navigation in unstructured environments



Live Demo Here @ IFA 2013

TKN Telecommunication
Networks Group



LOCATE